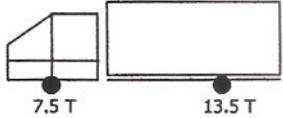
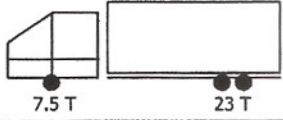
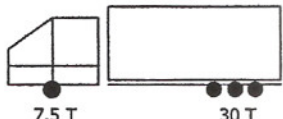
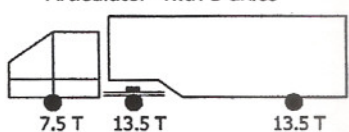
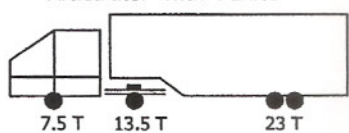
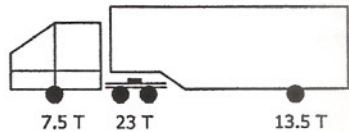
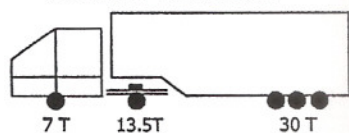
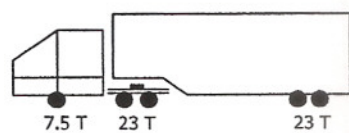
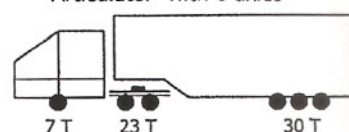
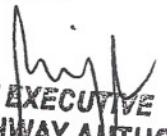


ALLOWABLE MAXIMUM GROSS WEIGHT OF TRANSIT VEHICLES ON OUR ROADS

TYPE OF VEHICLE	REVISED GROSS WEIGHT (Tonnes)
Single Vehicle with 2 axles 	21 T
Single Vehicle with 3 axles 	31.5 T
Single Vehicle with 4 axles 	37.5 T
Articulator with 3 axles 	34.5 T
Articulator with 4 axles  	44 T
Articulator with 5 axles  	50.5 T
Articulator with 6 axles 	60 T
ALLOWABLE HEIGHT - 4.5 metres	


**CHIEF EXECUTIVE
GHANA HIGHWAY AUTHORITY**